



Visit our stunning inground pool display today!

3567 IH 35 South @ Exit 183
New Braunfels, Texas

830.387.4020
www.leisurepoolsusa.com

Show Room & Pool Park Hours: Monday - Friday 10 am - 5 pm | Saturday 12 pm - 4 pm
Sunday Closed | Open During Summer Trading Season

MOROCCAN STYLE® INGROUND FIBERGLASS POOLS

The Leisure Pools Moroccan Style incorporates the best features of previous Leisure Pools with exciting new ideas. The rectangle pool has been in use for over 3000 years and remains the most efficient and beautiful pool design. The Moroccan Style builds on this flawless design with a range of innovative features to enhance usability and beauty in your backyard.

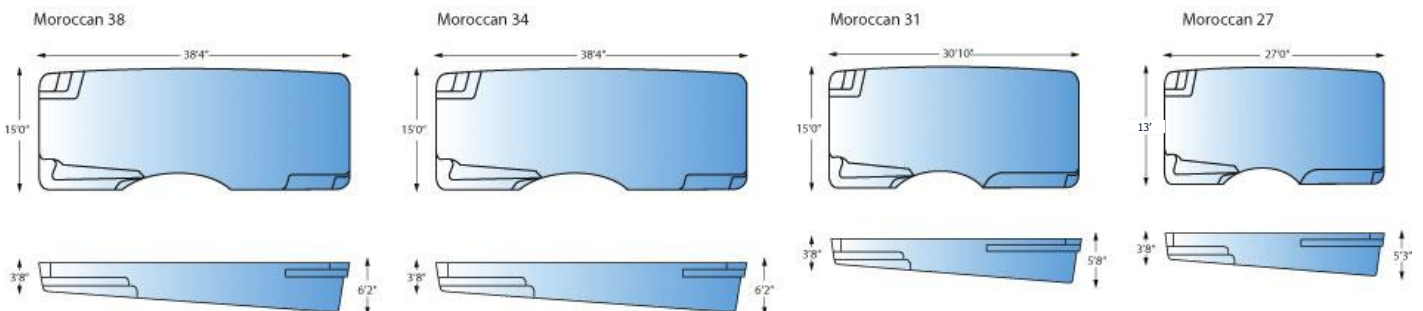
Instead of just one entry point, the Moroccan Style features three points of entry - one at the shallow end, one on the opposite side at the deep end and a third at the center of the pool. This means that however you place your pool in relation to your house or pool side area, you will be assured of an entry/exit point adjacent to it.

The Moroccan Style has excellent seating areas with a swim out and step at the deep end.

It also has generous seating areas at the shallow end, where optional spa jets can be installed. There is even provision for an optional in-pool table.

The clever design of the Moroccan Style also provides a wide, unobstructed corridor through the center of the pool for unrestricted end to end swimming.

The Moroccan Style also features a cleverly engineered ultra narrow coping that results in a more spacious pool for its outside dimensions. The Moroccan comes in four sizes to accommodate all backyards and budgets.



MOROCCAN STYLE POOL DIMENSIONS

	Length	Width	Deep End	Shallow End	Gallons
Moroccan 38	38'4"	15'	6'2"	3'8"	19,800
Moroccan 34	34'2"	15'	5'11"	3'8"	17,100
Moroccan 31	30'10"	15'	5'8"	3'8"	15,000
Moroccan 27	27'	13'	5'3"	3'8"	11,600

LEISURE POOLS DESIGN CONCEPTS INCLUDE:

Space - Too many pools have the dimensions but just don't have the space. The Elegance is designed to give you plenty of room for end to end swimming or playing games. The swimming corridor is completely unobstructed and even the copings are only four inches wide in order to maximize the space inside the pool.

Relax - The steps are conveniently placed on the side of the pool and combine with the spa seat area. You can have spa jets and aeration fitted for an enjoyable and relaxing spa. It's a great place to sit and relax while the kids are playing in the pool.

Safety - The Elegance has Leisure Pools perimeter safety convenience built into the wall of the pool two feet down from the top of the pool. Small children can easily stand on the step ledge to get out of the pool.



Leisure Pools®

SWIMMING IN QUALITY AND STYLE WITH AQUAGUARD

830-387-4020 | 3567 IH 35 South | New Braunfels Texas 78132
www.leisurepoolsusa.com ©Copyright Protected 2010 All Rights Reserved